

# A760 Two-Color Thermal/Impact Hybrid Printer

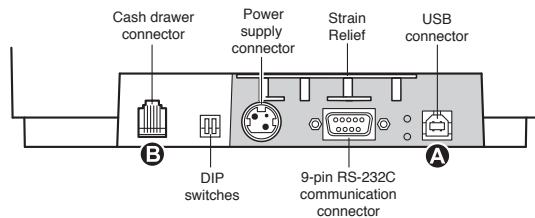


## POS Hybrid Printers

# A760

## Fast, reliable receipt and check validation printer

The A760 brings a world of new profit-generating receipt printing possibilities combined with easy to handle check, forms, and slip printing. Designed for years of reliable operation in demanding high transaction volume environments such as retail and service businesses, the A760 is a fast, two-color hybrid printer that offers integrated MICR and a flat slip table. The A760 printers reduce transaction times, improve loyalty programs, reduce the occurrence of receipt frauds, and increase accuracy for retail returns.



RS232 Serial and USB Interface Shown Above

- Wide (4.75" print zone) and flat slip table.
- Ideal for large and/or multiply forms and/or hard back forms.
- Used for service businesses, contractor sales, warranties, etc.
- Perfect for validating parking tickets, utility bills, government documents.
- Reliable printing technology

# A760

## Fast, Reliable Receipt and Check Validation Printer

### Fast Printing

With a print speed of 180 mm/sec for monochrome and 100 mm/sec for two-color printing, CognitiveTPG's A760 hybrid printers keep checkout lines moving.

### Reliable Technology

A760's flat slip table presents an accurate and user friendly platform to print on checks, slips, and multi-part forms. Plus the MICR reader has over 99% check read accuracy rates.

### Maintenance Free and Flexible

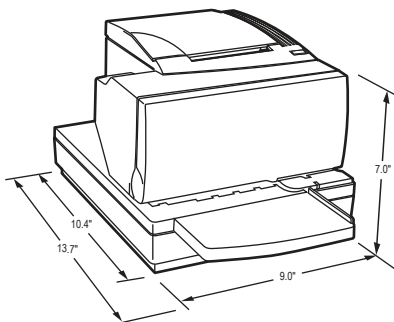
Features such as CognitiveTPG's exclusive self-sharpening ceramic knife allow for long-lasting service with no scheduled maintenance. These printers have a high compatibility rate allowing them to fit into many legacy applications.

### Designed for Lower Cost of Ownership

With highly integrated electronics, low energy activation paper, and built-in reliability these printers offer the lowest total cost of ownership.

### Color Flexibility

Capable of printing in monochrome or two color printing for added flexibility. The two-color printing option is compatible with our receipt marketing software – Receiptware – enabling you to turn your receipt into addition marketing or revenue.



## Technical Specifications

	Receipt Station	Slip Station
Print Method	Direct Thermal, 203 DPI	9-Pin Impact
Character Cell Size	13 x 24, 10 x 24	7 x 7
CPI	15.6, 20.3	14, 17
Print Columns	44 & 56 columns	66 & 80
Print Line Width	2.8" (72mm)	4.75" (120mm)
Character Sets	Page 437, 737, 850, 852, 858 (with Eurosymbol), 860, 862, 863, 865, 866, 1252. Contact us for expanded sets.	
Bar Codes	UPC-A, UPC-E, Code 39, Code 93, Code 128, JAN8 and JAN13 (EAN), Interleaved 2 of 5, Codabar, PDF417 (receipt station only)	
Printing Speed	Monochrome 59.3 LPS (180 mm/sec)	4.8 LPS (16 mm/sec)
	Two-Color 29.6 LPS (100 mm/sec)	
Auto Cutter	Partial cut	
Data Buffer	4KB	
User Memory	Up to 2 MB, shared for graphics, logos, user defined characters and user data storage	
Interface(s)	Mother/Daughter Board Architecture supports: Dual 9-pin RS-232/USB, 25-pin RS-232, Powered USB	
Cash Drawer Control	1-2 Drawers	
MICR Reader:	Integrated in slip station	
Character sets/fonts	E-13B and CMC-7, autodiscriminate	
Check read rate	99% minimum	
Parsing Formats	E-13B only. Programmable to any format	
Thermal Paper Requirements:		
Paper Type	Direct Thermal, POS Grade(s), Kanzaki P320 color paper	
Paper Roll (W x D)	3.15" x 3.55" (80 mm x 90 mm)	
Impact Slip Forms:		
Size – Front insertion (L x W)	2.68" x 2.0" minimum (68 mm x 51 mm)	
	2.75" x 2.0" minimum with Flip Option (70mm x 51mm)	
Size – Side insertion (L x W)	2.0" x 8.0" minimum (51 mm x 204 mm)	
Number of Plies	1-5 ply multipart	
Paper Thickness	0.0160" maximum (0.400 mm)	
Power	24 VDC	
Certifications	EMI: FCC, ICES-003, VCCI: Class A; CE, Austel: Class B, Safety: UL 1950, CSA 22.2 No.950, CE (EN60950), MITI (power supply)	
Reliability	Thermal Print Mechanism - 200 KM paper monochrome/two-color, Auto Cutter - 1.5 M cuts, Impact Print Mechanism - 15 M lines, Impact Printhead - 200 M characters, MICR reader - 200,000 Reads	
Dimensions (W x D x H)	9.0" x 10.4" x 7.0" (229 mm x 264 mm x 178 mm)	

### CognitiveTPG Headquarters

25 Tri-State International, Suite 200, Lincolnshire, IL 60069  
Toll Free: 800-732-8950 Phone: 847-383-7900 Fax: 847-383-7949  
www.CognitiveTPG.com  
Copyright 2008 CognitiveTPG. All Rights Reserved.

