

C Series Consumables

DT Labels and Tags

Size (WxH")	# up	Print type	Material	Adhesive	Wind	OD"	Core"	Items per roll	Rolls per case	Index	Stock Item	Part #
.75x.75	1	DT	Paper	Permanent	In	4.75	1.5	2285	12	Gap	N	03-02-1825
1.15x1	1	DT	Paper	Permanent	In	4.75	1.5	1685	12	Gap	N	03-02-3004
1.15x1	2	DT	Paper	Permanent	In	4.75	1.5	3370	12	Gap	Y	03-02-1520
1.15x1	2	DT	Paper	Removable	In	4.75	1.5	3370	12	Gap	Y	03-02-1897
1.15x1	2	DT	Paper	Permanent	In	5	1.5	4700	12	Gap	Y	03-02-2100
1.15x1	2	DT	Paper	Removable	In	5	1.5	4700	12	Gap	N	03-02-2101
1.15x1	2	DT	Paper	Permanent	In	7	1.5	10610	6	Gap	N	03-02-2590
1.15x1	2	DT	Paper	Removable	In	7	1.5	10610	6	Gap	N	03-02-2588
2x.56	1	DT	Paper	Permanent	In	4.75	1.5	2665	12	Gap	N	03-02-3006
2.3x1	1	DT	Paper	Permanent	In	5	1.5	2350	12	Gap	N	03-02-2102
2.3x1	1	DT	Paper	Removable	In	7	1.5	5305	6	Gap	N	03-02-2566
2.3x1	1	DT	Paper	Permanent	In	7	1.5	5305	6	Gap	N	03-02-2586
2.3x1	1	DT	Paper, yellow	Permanent	In	4.75	1.5	1685	12	Gap	N	03-02-3002
2.3x1	1	DT	Paper	Permanent	In	4.75	1.5	1685	12	Gap	Y	03-02-1519
2.4x.75	1	DT	Vinyl	Permanent	In	5	1.5	2880	12	Gap	N	03-02-2111
2.4x.75	1	DT	Vinyl	Permanent	In	4.75	1.5	2130	12	Gap	Y	03-02-1648
2.4x1	1	DT	Paper	Removable	In	5	1.5	2350	12	Gap	Y	03-02-2103
2.4x1	1	DT	Paper	Removable	In	4.75	1.5	1685	12	Gap	Y	03-02-1764
2.4x1	1	DT	Vinyl	Permanent	In	5	1.5	2270	12	Gap	N	03-02-2112
2.4x1	1	DT	Vinyl	Permanent	In	7	1.5	4800	6	Gap	Y	03-02-2584
2.4x1	1	DT	Vinyl	Permanent	In	4.75	1.5	1685	12	Gap	Y	03-02-1647
2.4x2	1	DT	Paper	Permanent	In	5	1.5	1280	12	Gap	N	03-02-2105
2.4x2	1	DT	Paper	Permanent	In	7	1.5	2880	6	Gap	Y	03-02-2580
2.4x2	1	DT	Paper	Permanent	In	4.75	1.5	914	12	Gap	N	03-02-1820
2.4x3	1	DT	Paper	Permanent	In	5	1.5	878	12	Gap	N	03-02-2106

Size (WxH")	# up	Print type	Material	Adhesive	Wind	OD"	Core"	Items per roll	Rolls per case	Index	Stock item	Part #
2.4x3	1	DT	Paper	Permanent	In	7	1.5	1976	6	Gap	Y	03-02-2562
2.4x3	1	DT	Paper	Permanent	In	4.75	1.5	627	12	Gap	Y	03-02-1521
3x1	1	DT	Paper	Permanent	In	5	1.5	2480	12	Gap	N	03-02-2114
3x1	1	DT	Paper	Permanent	In	7	1.5	5600	6	Gap	Y	03-02-2604
3x1	1	DT	Paper	Permanent	In	4.75	1.5	1775	12	Gap	N	03-02-1821
4.25x1	1	DT	Paper	Permanent	In	5	1.5	2350	12	Gap	N	03-02-2117
4.25x1	1	DT	Paper	Permanent	In	7	1.5	5305	6	Gap	N	03-02-2602
4.25x1	1	DT	Paper	Permanent	In	4.75	1.5	1685	12	Gap	N	03-02-1524
4x2	1	DT	Paper	Permanent	In	5	1.5	1315	12	Gap	N	03-02-2115
4x2	1	DT	Paper	Permanent	In	7	1.5	2960	6	Gap	Y	03-02-2600
4x2	1	DT	Paper	Permanent	In	4.75	1.5	940	12	Gap	N	03-02-1826
4x3	1	DT	Paper	Permanent	In	5	1.5	896	12	Gap	Y	03-02-2552
4x3	1	DT	Paper	Permanent	In	4.75	1.5	640	12	Gap	N	03-02-2556
4x3	1	DT	Paper	Permanent	In	7	1.5	2015	6	Gap	N	03-02-2598
4.25x3	1	DT	Paper	Permanent	In	4.75	1.5	627	12	Gap	N	03-02-1523
4.25X3	1	DT	Paper	Permanent	In	7	1.5	1750	6	Gap	N	03-02-2636
4x4	1	DT	Paper	Permanent	In	5	1.5	678	12	Gap	Y	03-02-2553
4x4	1	DT	Paper	Permanent	In	4.75	1.5	484	12	Gap	N	03-02-2557
4x4	1	DT	Paper	Permanent	In	7	1.5	1525	6	Gap	N	03-02-2594
4x6	1	DT	Paper	Permanent	In	5	1.5	455	12	Gap	Y	03-02-2116
4x6	1	DT	Paper	Permanent	In	7	1.5	1025	6	Gap	Y	03-02-2592
4x6	1	DT	Paper	Permanent	In	4.75	1.5	326	12	Gap	N	03-02-1827
4.25x6.5	1	DT	Paper	Permanent	In	4.75	1.5	300	12	Gap	Y	03-02-1522

TT Labels and Tags

Size (WxH")	# up	Print type	Material	Adhesive	Wind	OD"	Core"	Items per roll	Rolls per case	Index	Stock Item	Part #
.75x.75	1	TT	Paper	Permanent	In	4.75	1.5	2285	12	Gap	N	03-02-1832
1.15x1	1	TT	Paper	Permanent	In	4.75	1.5	1685	12	Gap	N	03-02-3005
1.15x1	2	TT	Paper	Permanent	In	4.75	1.5	3370	12	Gap	Y	03-02-1731
1.15x1	2	TT	Paper	Removable	In	4.75	1.5	3370	12	Gap	Y	03-02-1898
1.15x1	2	TT	Paper	Permanent	In	5	1.5	4700	12	Gap	N	03-02-2120
1.15x1	2	TT	Paper	Removable	In	5	1.5	4700	12	Gap	Y	03-02-2121
1.15x1	2	TT	Paper	Permanent	In	7	1.5	10610	6	Gap	N	03-02-2585
1.15x1	2	TT	Paper	Removable	In	7	1.5	10610	6	Gap	N	03-02-2583
2x.56	1	TT	Paper	Permanent	In	4.75	1.5	2665	12	Gap	N	03-02-3007
2.3x1	1	TT	Paper	Permanent	In	5	1.5	2350	12	Gap	Y	03-02-2122
2.3x1	1	TT	Paper	Permanent	In	7	1.5	5305	6	Gap	N	03-02-2581
2.3x1	1	TT	Paper, yellow	Permanent	In	4.75	1.5	1685	12	Gap	N	03-02-3003
2.3x1	1	TT	Paper	Permanent	In	4.75	1.5	1685	12	Gap	Y	03-02-1656
2.4x1	1	TT	Paper	Removable	In	5	1.5	2350	12	Gap	N	03-02-2123
2.4x1	1	TT	Paper	Removable	In	7	1.5	5305	6	Gap	N	03-02-2577
2.4x1	1	TT	Paper	Removable	In	4.75	1.5	1685	12	Gap	Y	03-02-1661
2.4x1	1	TT	Polyester	Permanent	In	4.75	1.5	1685	12	Gap	Y	03-02-1830
2.4x1	1	TT	Vinyl	Permanent	In	5	1.5	2270	12	Gap	N	03-02-2130
2.4x1	1	TT	Vinyl	Permanent	In	7	1.5	4800	6	Gap	N	03-02-2579
2.4x1	1	TT	Vinyl	Permanent	In	4.75	1.5	1685	12	Gap	Y	03-02-1733
2.4x1	1	TT	Vinyl	Permanent	In	4.75	1.5	1685	12	Gap	Y	03-90-1046
2.4x2	1	TT	Paper	Permanent	In	5	1.5	1280	12	Gap	N	03-02-2124
2.4x2	1	TT	Paper	Permanent	In	7	1.5	2880	6	Gap	N	03-02-2575
2.4x2	1	TT	Paper	Permanent	In	4.75	1.5	914	12	Gap	Y	03-02-1823
2.4x3	1	TT	Paper	Permanent	In	5	1.5	878	12	Gap	Y	03-02-2125
2.4x3	1	TT	Paper	Permanent	In	7	1.5	1976	6	Gap	N	03-02-2563
2.4x3	1	TT	Paper	Permanent	In	4.75	1.5	627	12	Gap	Y	03-02-1730

Size (WxH")	# up	Print type	Material	Adhesive	Wind	OD"	Core"	Items per roll	Rolls per case	Index	Stock Item	Part #
3x1	1	TT	Paper	Permanent	In	5	1.5	2480	12	Gap	N	03-02-2133
3x1	1	TT	Paper	Permanent	In	7	1.5	5600	6	Gap	N	03-02-2597
3x1	1	TT	Paper	Permanent	In	4.75	1.5	1775	12	Gap	Y	03-02-1824
4.25x1	1	TT	Paper	Permanent	In	5	1.5	2350	12	Gap	N	03-02-2134
4.25x1	1	TT	Paper	Permanent	In	7	1.5	5305	6	Gap	N	03-02-2595
4.25x1	1	TT	Paper	Permanent	In	4.75	1.5	1685	12	Gap	Y	03-02-1657
4x2	1	TT	Paper	Permanent	In	5	1.5	1315	12	Gap	N	03-02-2135
4x2	1	TT	Paper	Permanent	In	7	1.5	2960	6	Gap	N	03-02-2593
4x2	1	TT	Paper	Permanent	In	4.75	1.5	940	12	Gap	Y	03-02-1828
4x3	1	TT	Paper	Permanent	In	5	1.5	896	12	Gap	N	03-02-2554
4x3	1	TT	Paper	Permanent	In	4.75	1.5	640	12	Gap	N	03-02-2558
4x3	1	TT	Paper	Permanent	In	7	1.5	2015	6	Gap	N	03-02-2591
4x3	1	TT	Poly	Permanent	In	4.75	1.5	640	12	Gap	N	03-02-1831
4.25x3	1	TT	Paper	Permanent	In	7	1.5	1750	6	Gap	N	03-02-2638
4.25x3	1	TT	Paper	Permanent	In	4.75	1.5	627	12	Gap	N	03-02-1659
4x4	1	TT	Paper	Permanent	In	5	1.5	678	12	Gap	N	03-02-2555
4x4	1	TT	Paper	Permanent	In	4.75	1.5	484	12	Gap	Y	03-02-2559
4x4	1	TT	Paper	Permanent	In	7	1.5	1525	6	Gap	N	03-02-2589
4x6	1	TT	Paper	Permanent	In	5	1.5	455	12	Gap	N	03-02-2137
4x6	1	TT	Paper	Permanent	In	7	1.5	1025	6	Gap	Y	03-02-2587
4x6	1	TT	Paper	Permanent	In	4.75	1.5	326	12	Gap	Y	03-02-1829
4.25x6	1	TT	Paper	Permanent	In	4.75	1.5	320	12	Gap	N	03-02-1660

DT Butterfly Labels

Size (WxH)	# across	Print type	Material	Adhesive	Wind	OD"	Core"	Items per roll	Rolls per case	Index	Stock item	Part #
2x.56	1	DT	Vinyl	Permanent	In	4.75	1.5	2665	12	Gap	Y	03-02-1797
2x.56	1	DT	Vinyl	Permanent	In	4.75	1.5	2665	12	Bar	Y	03-02-1649
2x.56	1	DT	Vinyl	Permanent	In	5	1.5	3600	12	Gap	N	03-02-2113
2x.56	1	DT	Vinyl	Permanent	In	7	1.5	7600	6	Gap	N	03-02-2574

TT Butterfly Labels

Size (WxH)	# across	Print type	Material	Adhesive	Wind	OD"	Core"	Items per roll	Rolls per case	Index	Stock item	Part #
2x.56	1	TT	Vinyl	Permanent	In	4.75	1.5	2665	12	Gap	Y	03-02-1803
2x.56	1	TT	Vinyl	Permanent	In	4.75	1.5	2665	12	Bar	N	03-02-1732
2x.56	1	TT	Vinyl	Permanent	In	5	1.5	3600	12	Gap	N	03-02-2131
2x.56	1	TT	Vinyl	Permanent	In	7	1.5	7600	6	Gap	N	03-02-2569

DT Rattail Labels

Size (WxH)	# across	Print type	Material	Adhesive	Wind	OD"	Core"	Items per roll	Rolls per case	Index	Stock item	Part #
1.25x3	1	DT	Vinyl	Permanent	In	4.75	1.5	640	12	Bar	N	03-02-3000
2.25x1	1	DT	Vinyl	Permanent	In	4.75	1.5	1685	12	Bar	N	03-50-0041
3.5x.4375	1	DT	Vinyl	Permanent	In	4.75	1.5	3100	12	Gap	N	03-50-0043

TT Rattail Labels

Size (WxH)	# across	Print type	Material	Adhesive	Wind	OD"	Core"	Items per roll	Rolls per case	Index	Stock item	Part #
1.25x3	1	TT	Vinyl	Permanent	In	4.75	1.5	640	12	Bar	N	03-02-3008
2.25x1	1	TT	Vinyl	Permanent	In	4.75	1.5	1685	12	Bar	N	03-50-0042
3.5x.4375	1	TT	Vinyl	Permanent	In	4.75	1.5	3100	12	Gap	N	03-50-0044

DT Non-Adhesive Tags

Size (WxH)	# across	Print type	Thickness	Wind	OD"	Core"	Items per roll	Rolls per case	Index	Stock item	Part #
2.4x1	1	DT	10 mil	In	4.75	1.5	1069	12	Bar	Y	03-02-1235
2.4x1	1	DT	7.5 mil	In	4.75	1.5	1500	12	Bar	Y	03-02-1639
2.4x1	1	DT	7.5 mil	In	4.75	1.5	1500	12	Gap	Y	03-02-1785
2.4x1	1	DT	7.5 mil	In	5	1.5	2100	12	Bar	Y	03-02-2108
2.4x1	1	DT	7.5 mil	In	5	1.5	2100	12	Gap	N	03-02-2107
2.4x1	1	DT	7.5 mil	In	7	1.5	4800	6	Bar	N	03-02-2578
2.4x1	1	DT	7.5 mil	In	7	1.5	4800	6	Gap	N	03-02-2568
2.4x2	1	DT	7.5 mil	In	4.75	1.5	750	12	Bar	N	03-02-1646
2.4x2	1	DT	7.5 mil	In	4.75	1.5	750	12	Gap	N	03-02-1867
2.4x2	1	DT	7.5 mil	In	5	1.5	1050	12	Bar	N	03-02-2109
2.4x2	1	DT	7.5 mil	In	5	1.5	1050	12	Gap	N	03-02-2110
2.4x2	1	DT	7.5 mil	In	7	1.5	2400	6	Bar	N	03-02-2576
2.4x2	1	DT	7.5 mil	In	7	1.5	2400	6	Gap	N	03-02-2572

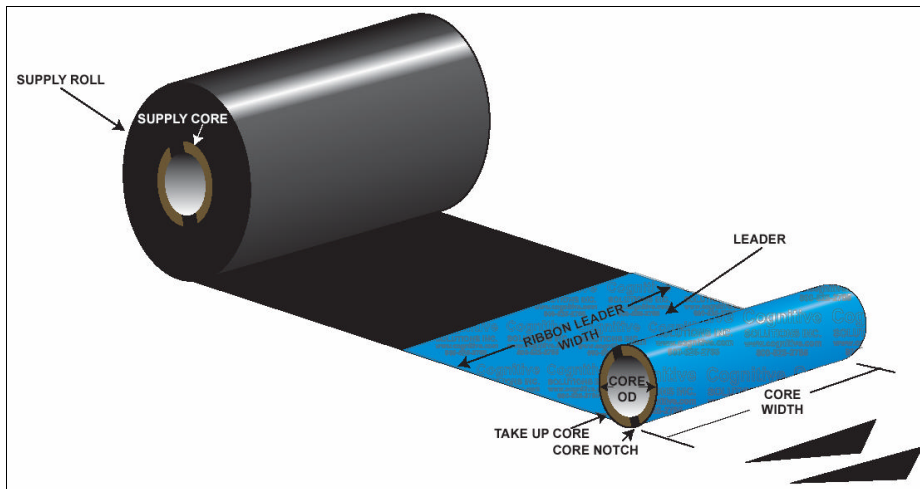
TT Non-Adhesive Tags

Size (WxH)	# across	Print type	Thickness	Wind	OD"	Core"	Items per roll	Rolls per case	Index	Stock item	Part #
2.4x1	1	TT	7.5 mil	In	4.75	1.5	1500	12	Bar	Y	03-02-1664
2.4x1	1	TT	7.5 mil	In	4.75	1.5	1500	12	Gap	Y	03-02-1786
2.4x1	1	TT	7.5 mil	In	5	1.5	2100	12	Bar	N	03-02-2127
2.4x1	1	TT	7.5 mil	In	7	1.5	4800	6	Bar	N	03-02-2573
2.4x1	1	TT	7.5 mil	In	7	1.5	4800	6	Gap	N	03-02-2567
2.4x2	1	TT	7.5 mil	In	4.75	1.5	750	12	Bar	N	03-02-1895
2.4x2	1	TT	7.5 mil	In	4.75	1.5	750	12	Gap	N	03-02-1896
2.4x2	1	TT	7.5 mil	In	5	1.5	1050	12	Bar	N	03-02-2128
2.4x2	1	TT	7.5 mil	In	7	1.5	2400	6	Bar	N	03-02-2571
2.4x2	1	TT	7.5 mil	In	7	1.5	2400	6	Gap	N	03-02-2565

C Series Ribbons, Supplies, and Parts & Printheads

To learn more about the various ribbon types please refer to the Consumables Guide which is located on the Companion CD which shipped with the printer or via the Cognitive website at <http://www.compactindustrial.com/cseries/documentation/documentation.html>

Ribbon Spec Diagram



- 1) **Wax ribbons** are best for general purpose labeling.
- 2) **Wax/resin ribbons** are a good choice for moderate scratch, abrasion and mild chemical resistance.
- 3) **Resin ribbons** provide the best performance in harsh environmental conditions.

C SERIES RIBBON						
Width (Inches)	Length (Inches)	Formulation	Printer Compatibility		Stock item	Part #
2.4	5496	Wax	Del Sol/ Series	C	Y	04-00-0044-01
4.25	5496	Wax	Del Sol/ Series	C	Y	04-00-0041-01
2.4	6500	Wax	C Series		Y	04-00-0046-01
2.4	5496	Wax / Resin	Del Sol/ Series	C	Y	04-00-0044-03
4.25	5496	Wax / Resin	Del Sol/ Series	C	Y	04-00-0041-03
2.4	6500	Wax / Resin	C Series		Y	04-00-0046-03
2.4	5496	Premium Resin	Del Sol/ Series	C	Y	04-00-0044-02
4.25	5496	Premium Resin	Del Sol/ Series	C	Y	04-00-0041-02
2.4	6500	Premium Resin	C Series		Y	04-00-0046-02

C Series Cleaning Supplies			
Part #	Size (inches)	Items per box	Description
14-00-0002	none	12	Cleaning pen

C Series Parts & Printheads							
Part #	Size	Print Type	RoHS	DPI	Customer Replaceable	Code	Image
900-057-02	2"	DT & TT	Y	203	Y	K	
900-057-01	2"	DT & TT	N	203	Y	K	
900-058-02	4"	DT & TT	Y	203	Y	K	
900-058-01	4"	DT & TT	N	203	Y	K	
900-059-02	4"	DT & TT	Y	300	Y	K	
900-063-01	2"	DT & TT	Y	203	Y	H	
900-064-01	2"	DT & TT	Y	300	Y	H	
900-065-01	4"	DT	Y	203	Y	H	
900-066-01	4"	DT	Y	300	Y	H	
900-078-01	2"	DT & TT	Y	N/A	Y	N/A	
900-079-01	4"	DT & TT	Y	N/A	Y	N/A	